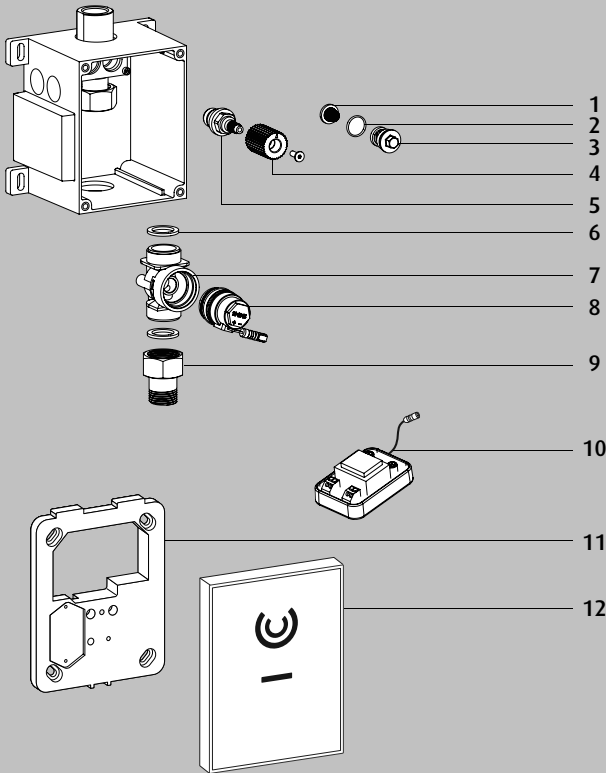


# WimTec® OCEAN U8

Date of manufacture as of 04/2014:

 WimTec OCEAN U8 - 230 V

Art.no. 109 856, 114 584

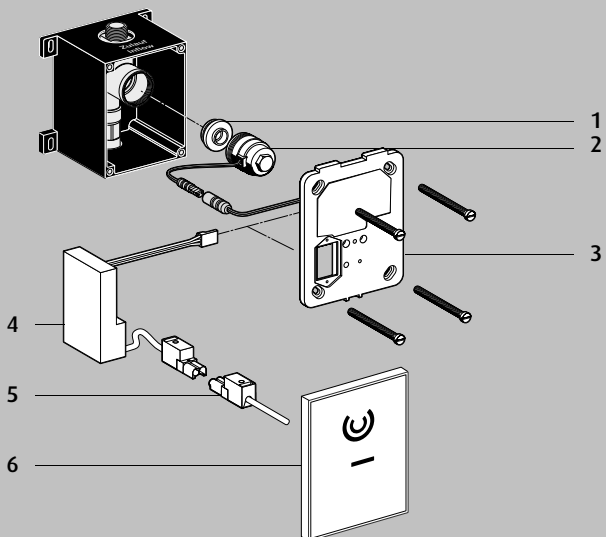


Pos	Art.no.	Designation
1	119 770	Dirt filter
2	122 695	O-ring
3	122 701	Dirt filter cover (incl. O-ring)
4	120 547	Thermostat adapter
5	123 562	Sanitary top piece
6	222 074	Gasket 3/4" (5 pcs.)
7	221 312	Magnetic valve adapter
8	231 205	Magnetic valve 6 V
9	221 053	Threaded connection piece
10	122 350	Power supply
11	122 831	Mounting frame incl. electronics module 230 V
12	115 659	Front plate, black glass
	112 955	Front plate, white glass




Date of manufacture until 03/2014:

 WimTec OCEAN U8 - 230 V

Art.no. 109 856, 114 584, 109 863, 109 870



Pos	Art.no.	Designation
1	113 020	Magnetic valve adapter
2	231 205	Magnetic valve 6 V
3	112 979	Mounting frame incl. electronics module 230 V
4	231 212	Power supply
5	230 611	Mains plug
6	115 659	Front plate, black glass
	112 955	Front plate, white glass

Legend:  = Mains operation     = Battery operation     = Variant with thermal disinfection

All prices are gross list prices excl. VAT. valid trough 31.3.2016. No liability accepted for misprints and errors; subject to technical modifications without notice.